

Operation

A check valve relies on the medium's flow to open and close automatically, preventing backflow; it is also known as a non-return valve, one-way valve, reverse flow valve, or back pressure valve. It is a type of automatic valve.

Wafer check valves are designed to be installed between flanges and are suitable for various fluids in process pipelines, hot water systems, steam, and condensate systems.

Note: They are not recommended for severe pulsation applications, such as compressor outlets.

Features

- Compact size, lightweight, and easy maintenance
- Quick valve closure, minimal water hammer pressure
- Usable in horizontal and vertical pipelines, easy installation
- Smooth flow channel, low fluid resistance
- Responsive action, excellent sealing
- Short disc travel, reduced closing impact force

Material List

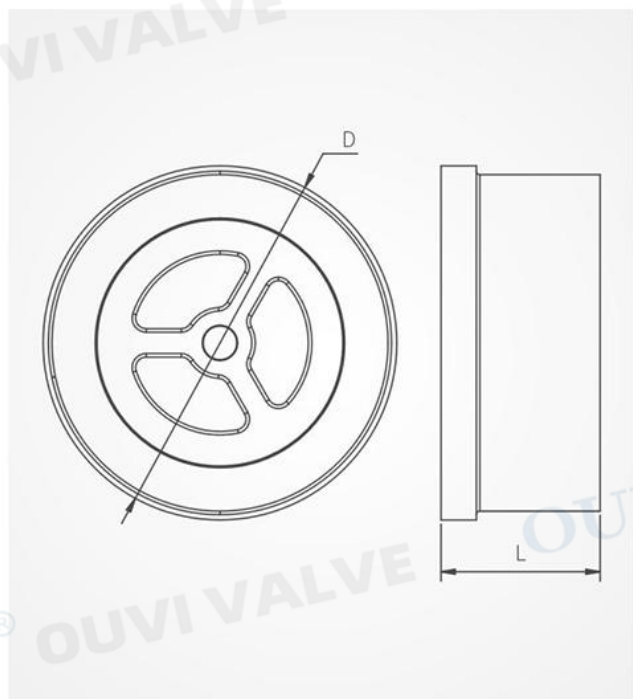
- Body: Austenitic Stainless Steel
- Disc: Martensitic Stainless Steel
- Seat: Martensitic Stainless Steel
- Spring: 304

Limitations

- Design Pressure (PMA): 25ar
- Maximum Operating Pressure (PMO): 25bar
- Maximum Operating Temperature (TMO): 343°C

Technical Parameters

Model	H71
Connection Types	Wafer
Installation Method	Horizontal, Vertical



Dimensions/Weight (Approx.) in mm and Kg

Model	H71								
Nominal Diameter	15	20	25	32	40	50	65	80	100
A (mm)	28		30	35	40	45	56	60	70
B (mm)	52	62	72	83	93	109	129	144	168
Weight(Kg) 焊接	0.12	0.25	0.35	0.5	0.8	1.2	2.2	3.1	7